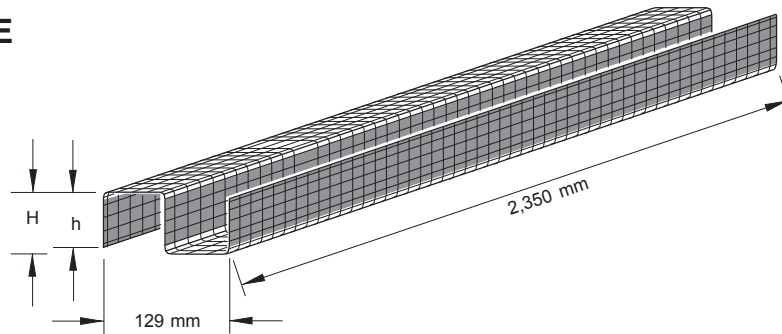


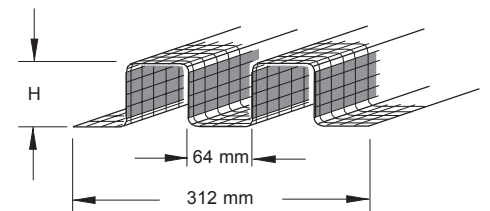
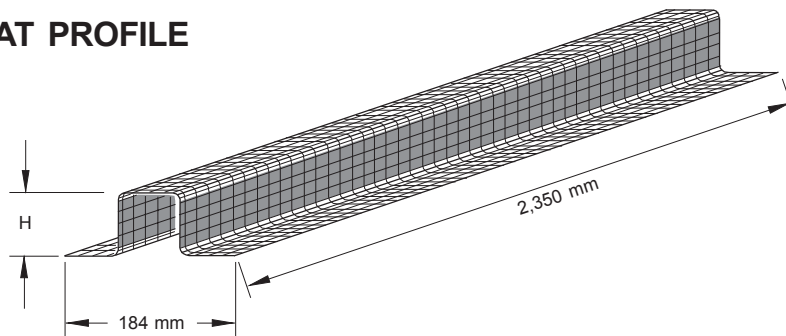
PEKATEX® Skeleton profiles made from GRP

S-PROFILE



Kind of profile	Cross section	Type	Height H mm	Height h mm
S-Profile		PX-S 30	30	26
		PX-S 40	44	40
		PX-S 60	64	60
		PX-S 80	84	80
		PX-S 100	104	100
		PX-S 120	124	120

HAT PROFILE



Kind of profile	Cross section	Type	Height H mm
Hat profile		PX - 1H 30	30
		PX - 1H 40	44
		PX - 1H 60	64
		PX - 1H 80	84
		PX - 1H 100	104
		PX - 1H 120	124
Hat profile		PX - 2H 30	30
		PX - 2H 40	44
		PX - 2H 60	64
		PX - 2H 80	84
		PX - 2H 100	104
		PX - 2H 120	124

Profiles with more than 2 hat structures upon enquiry,
greater lengths upon enquiry

thickness: 1 ⇒ 0.7 mm glass fabric content: 1 ⇒ 250 gr/m²
 2 ⇒ 1.6 mm 2 ⇒ 500 gr/m²