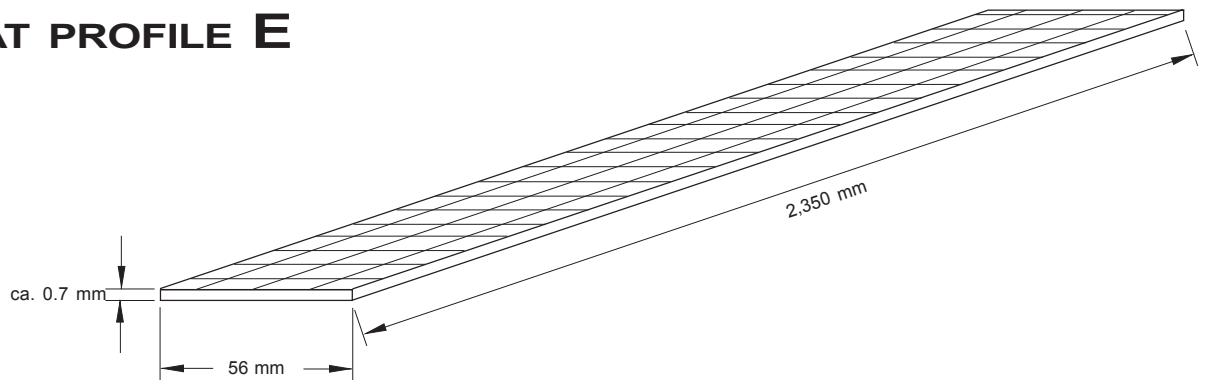



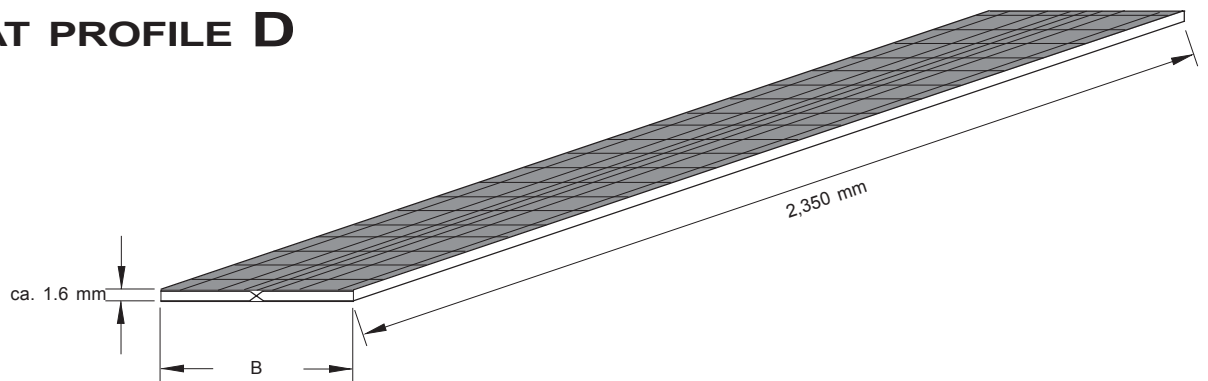
# PEKATEX® Skeleton profiles made from GRP


## FLAT PROFILE E



Kind of profile	Cross section	Type
Flat profile E	 1	PX-F/E

## FLAT PROFILE D



Kind of profile	Cross section	Type	Width B mm
Flat profile D	 2	PX-F/D 30	22
		PX-F/D 40	36
		PX-F/D 60	56
		PX-F/D 80	76
		PX-F/D 100	96
		PX-F/D 120	116

greater lengths upon enquiry

thickness: 1 ⇒ 0.7 mm      glass fabric content: 1 ⇒ 250 gr/m<sup>2</sup>  
 2 ⇒ 1.6 mm                      2 ⇒ 500 gr/m<sup>2</sup>