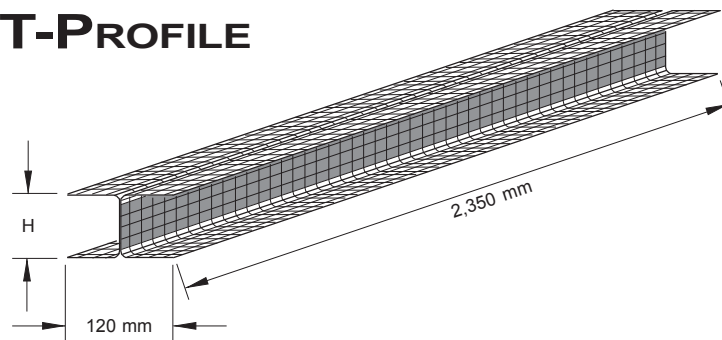


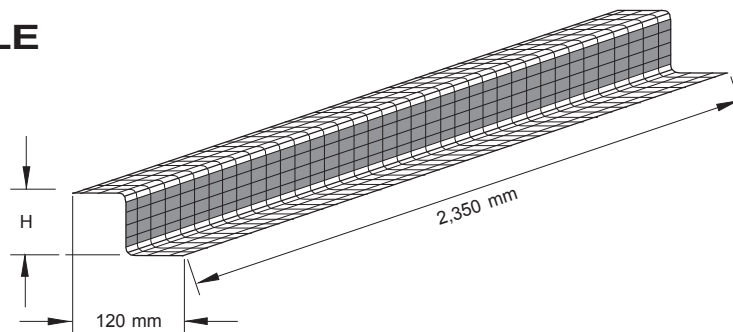
# PEKATEX® Skeleton profiles made from GRP

## DOUBLE-T-PROFILE



Kind of profile	Cross section	Type	Height H mm
Double-T-Profile		PX-I 30	30
		PX-I 40	44
		PX-I 60	64
		PX-I 80	84
		PX-I 100	104
		PX-I 120	124

## Z-PROFILE



Kind of profile	Cross section	Type	Height H mm
Z-Profile		PX-Z 30	30
		PX-Z 40	44
		PX-Z 60	64
		PX-Z 80	84
		PX-Z 100	104
		PX-Z 120	124

greater lengths upon enquiry

thickness: 1 ⇒ 0.7 mm      glass fabric content: 1 ⇒ 250 gr/m<sup>2</sup>  
 2 ⇒ 1.6 mm                      2 ⇒ 500 gr/m<sup>2</sup>