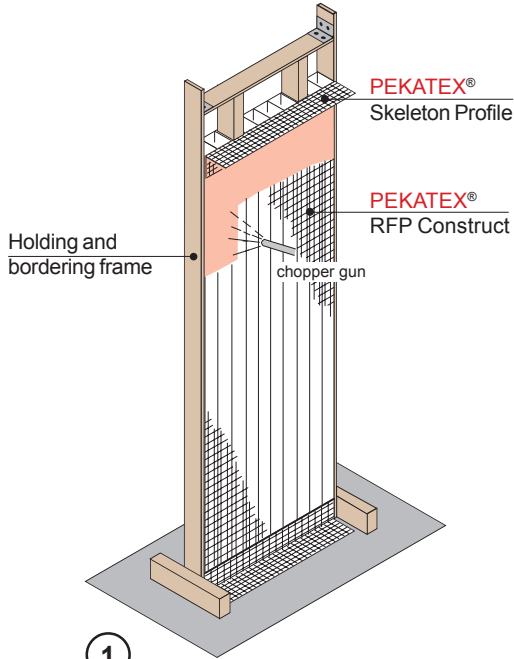
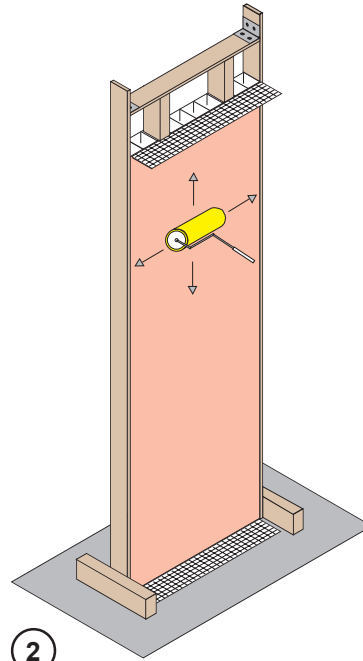


PEKATEX® RFP Constructs for RFP Building

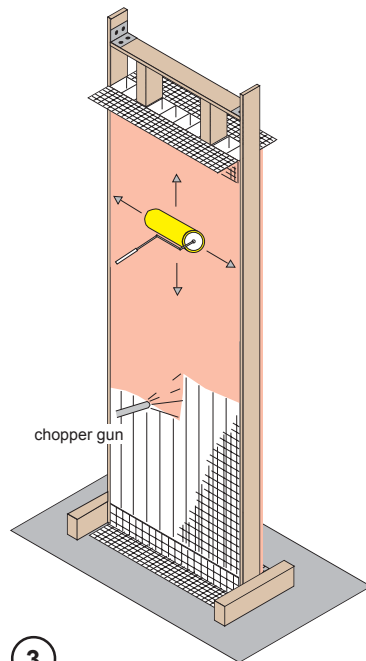
Upright sandwich manufacture by Spray Lay-up method and incorporation of PEKATEX® Skeleton Profiles.
Surfaces without further treatment.



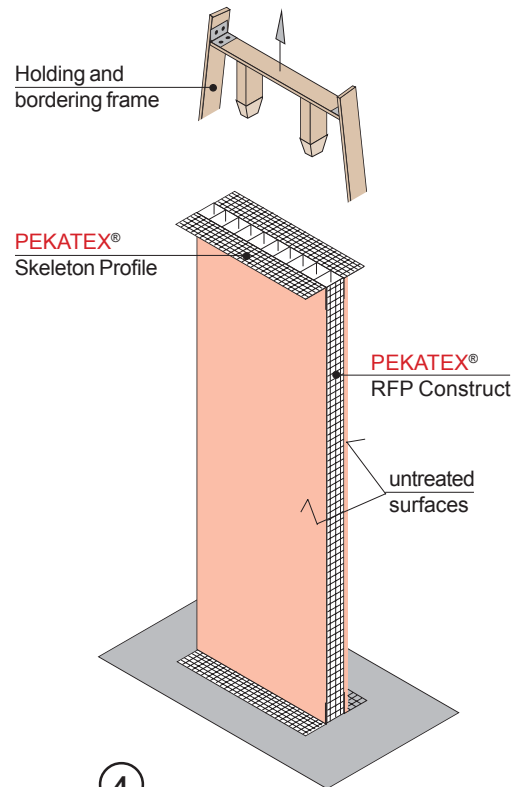
1
Spray fibre lay-up on one side and incorporate angled PEKATEX® Skeleton Profiles



2
Consolidate and smooth out fibre lay-up



3
Spray fibre lay-up on other side, incorporate angled PEKATEX® Skeleton Profiles, then consolidate and smooth out fibre lay-up. Allow lay-ups to cure.



4
Remove holding and bordering frame. Sandwich with PEKATEX® RFP Construct as core and incorporated PEKATEX® Skeleton Profiles is now ready for installation.