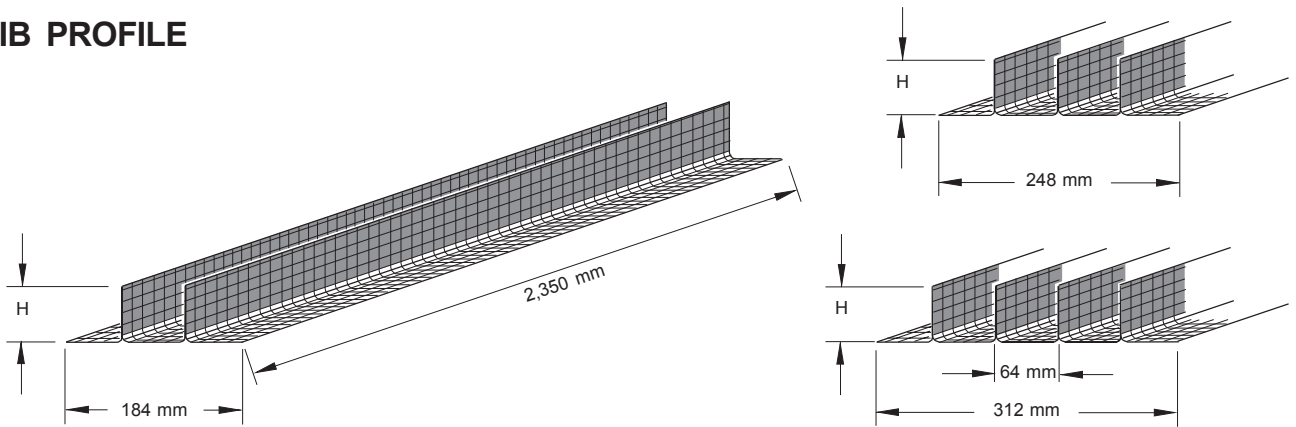


PEKATEX[®] Skeleton profiles made from GRP

RIB PROFILE



Kind of profile	Cross section	Type	Height H mm
Rib profile		PX - 2R	30
		PX - 2R	40
		PX - 2R	60
		PX - 2R	80
		PX - 2R	100
		PX - 2R	120
Rib profile		PX - 3R	30
		PX - 3R	40
		PX - 3R	60
		PX - 3R	80
		PX - 3R	100
		PX - 3R	120
Rib profile		PX - 4R	30
		PX - 4R	40
		PX - 4R	60
		PX - 4R	80
		PX - 4R	100
		PX - 4R	120

Profiles with more than 4 ribs upon enquiry,
greater lengths upon enquiry

thickness: 1 ⇒ 0.7 mm glass fabric content: 1 ⇒ 250 gr/m²
 2 ⇒ 1.6 mm 2 ⇒ 500 gr/m²